

SANYO

INSTRUCTION MANUAL

DC-MX31

MICRO Hi-Fi SYSTEM



CONTENTS	PAGE
IMPORTANT SAFETY INFORMATION.....	2
HEARING IMPORTANT NOTE.....	3
LOCATION OF CONTROLS AND FUNCTIONS.....	4
SETTING UP AND CONNECTING THE UNIT.....	6
BASIC OPERATION.....	7
RADIO OPERATION.....	7
COMPACT DISC OPERATION.....	8
MP3/WMA DISC OPERATION.....	9
CASSETTE RECORDER OPERATION.....	11
MAINTENANCE.....	12
TROUBLESHOOTING GUIDE.....	14
SPECIFICATIONS.....	15

IMPORTANT SAFETY INFORMATION

- Keep this unit away from dripping or splashing water. Ensure that no objects filled with liquids, such as vases, are placed on or near the unit.
- To completely disconnect the power input, the mains plug of apparatus shall be disconnected from the mains.
- Keep the unit away from strong magnetic devices, heat sources and direct light. Overheating will cause damage and shorten the life of the product.
- Keep the unit away from dust, moisture and water.
- Don't obstruct the ventilation vents on the equipment, for example with newspaper, table-cloths, curtains or soft furnishings.
Minimum 10 cm distances around the apparatus for sufficient ventilations.
- Do not use strong chemicals, abrasives or aerosol cleaners to clean the unit..
- Store your tape or CD in a cool area to avoid the damage from heat.
- No naked flame sources such as lighted Candles should be placed on the apparatus.
- Ensure the unit is plugged into an AC 230 - 240V 50 Hz power outlet. Using the wrong type of power outlet might damage the unit and even cause fire.
- Danger of damage if battery is incorrectly replaced. Replace only with the same or equivalent type.
- Before turning on the power for the first time, make sure the power cord is properly installed.
- To reduce the risk of electric shock, do not remove cover (or back), no user serviceable parts inside; refer all servicing to qualified service personnel.
- Never let anyone, especially children, push anything into holes, slots or any other opening, as this could result in a fatal electric shock.
- Do not use the unit in areas where extremes in temperature occur (below 5 or exceeding 35) or where it may be exposed to direct sunlight.
- Do not use the unit in areas where humidity is too high, for example in bathroom or in a wet basement and the like. Use the unit in relativity humidity 45%~85%.



You can see this carved picture on the bottom of the main unit.



This symbol indicates that dangerous voltage constituting a risk of electric shock is present within this unit.



This symbol indicates that there are important operating and maintenance instructions in the information accompanying this unit.

REMARK: In case of malfunction due to electrostatic discharge or fast transient (Burst), just reset the product (reconnect of power source may be required) to resume normal operation.



CAUTION CLASS 1 LASER PRODUCT

Operating the unit in a way other than specified herein, or making adjustments to the unit may result in hazardous radiation exposure

You can see the label on the back of the unit



LASER SAFETY

This unit employs a laser. Only qualified service personnel should attempt repair.

You can see this label in the CD compartment.

WARNING: RISK OF INVISIBLE LASER RADIATION WHEN CD LID IS OPEN OR INTERLOCKS FALL. AVOID DIRECT EXPOSURE TO THE BEAM.

Note:

- This unit will become warm when used for a long period of time. It's a normal phenomenon. Don't worry about it.
- This CD player includes microprocessors, which may malfunction as a result of external electrical interference or noise. If the CD is not working properly, disconnect the power source and then reconnect it.
- In case of malfunction due to electrostatic discharge or fast transient (Burst) ,reconnect of power source may be required to resume normal operation.
- Do not install this equipment in a confined space, such as a bookcase or built-in cabinet.

HEARING IMPORTANT NOTE

Your hearing is important to you and to us so please take care when operating this equipment. It is strongly recommended that you follow the listed guidelines in order to prevent possible damage to, or loss of hearing.

Establish a safety sound lever

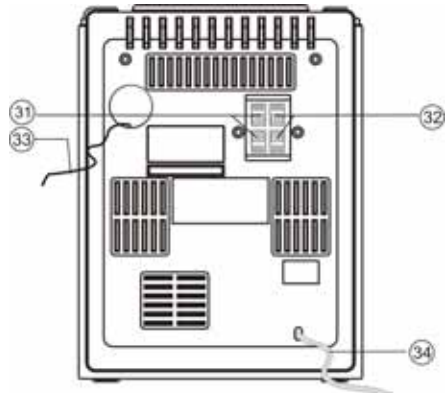
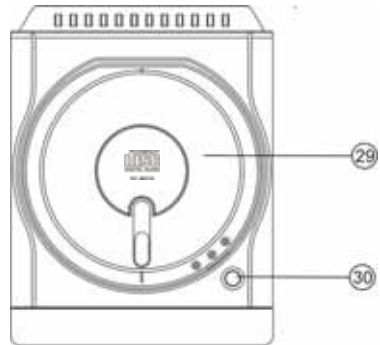
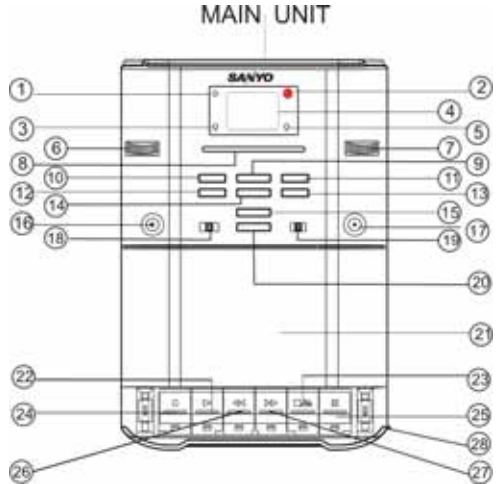
Over time your hearing will adapt to continuous load sounds and will give the impression that the volume has in fact been reduced. What seems normal to you may in fact be harmful. To guard against this, set the initial volume of the equipment to a low level.

Once you have established a comfortable listening level do not increase the sound level further.

LOCATION OF CONTROLS AND FUNCTIONS

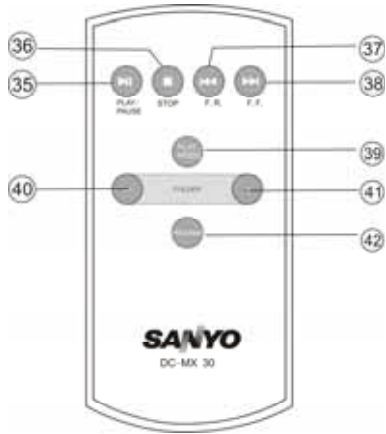
MAIN UNIT

1. Power Indicator
2. REMOTE Sensor
3. **BASSXPANDER** Indicator
4. DISPLAY
5. FM ST Indicator
6. +VOLUME- Control
7. TUNING Control
8. Dial Pointer
9. ►/|| PLAY / PAUSE Button
10. ◀◀/▶▶ Button
11. ▶▶/▶▶ Button
12. PROGRAM Button
13. PLAY MODE Button
14. ■ STOP Button
15. FOLDER+ Button
16. PHONES Socket
17. AUX IN Socket
18. FUNCTION Selector
(TAPE-OFF/CD/RADIO/AUX)
19. BAND Selector (AM/ FM/ FM ST)
20. **BASSXPANDER**
21. Cassette Door
22. ► PLAY Button
23. ■/▲ STOP/EJECT Button
24. ● RECORD Button
25. || PAUSE Button
26. ◀◀ REWIND Button
27. ▶▶ F.FWD Button
28. Cassette Buttons Door
29. CD Door
30. CD Door OPEN Button
31. R+/R- Right Speaker Terminal
32. L+/L- Left Speaker Terminal
33. FM Antenna Wire
34. AC Cord



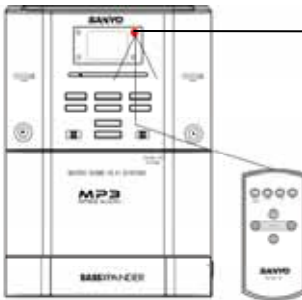
Remote Control

- 35. ►|| PLAY/ PAUSE Button
- 36. ■ STOP Button
- 37. ◀◀ F.F. Button
- 38. ▶▶ F.R Button
- 39. PLAY MODE Button
- 40. FOLDER - Button
- 41. FOLDER + Button
- 42. PROGRAM Button



Note:

The distance between the remote control and the main unit should not be too far.

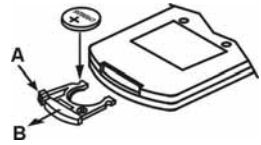


The remote control should be within approx. 7 meters at straight line to the REMOTE Sensor.

SETTING UP AND CONNECTING THE UNIT

Replacing battery of the remote control

1. Squeeze the notched tab A while pulling the battery door latch B out to take the battery holder out.
2. Insert a “CR2025” 3V lithium battery. Make sure the polarity (the + and – side of the battery) is correct.
3. Replace the battery holder back in the remote control.



BATTERY PRECAUTIONS

Follow these precautions when using battery in this device..

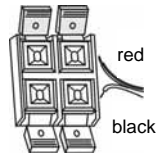
1. Danger of explosion if battery is incorrectly replaced, use only the size and type of battery specified.
2. Battery shall not be exposed to excessive heat such as sunshine, fire or the like.
3. Be sure to follow the correct polarity when installing the battery as indicated in the battery compartment. Reversed polarity may cause damage to the device.
4. If the device is not to be used for a long period of time, remove the battery to prevent damage or injury from possible battery leakage.
5. Do not try to recharge battery, it is not intended to be recharged and doing so may cause the battery to rupture or leak.
6. Do not dispose of batteries in general waste, contact your local Council regarding available recycling or disposal options.

Speaker connection

To insert the speaker cable, push down the terminal lever of the RIGHT Speaker Terminal and LEFT Speaker Terminal.

Please ensure the cables are connected into the speaker terminals with the correct polarities. Connect the Left Speaker to the Left Speaker Terminals, with red wire to the L+ and black wire to the L-.

Connect the Right Speaker to Right Speaker Terminals, with red wire to the R+ and black wire to the R-.



Headphone connection

You can use headphones to listen in privacy. Insert the headphones 3.5mm plug into Phone Socket. Use corresponding adaptors if you have different plugs, the speaker will cut off automatically when the headphones are being used.

Note: Excessive sound pressure from earphones and headphones can cause hearing loss.

Mains connection

This unit was designed to operate at an AC 230 - 240V 50 Hz house current.

Connecting this system to any other power supply could result in damage to the unit, which is not covered by your warranty. If this plug is not fit for your outlet, you should change your outlet by a qualified licensed electrician.

1. Unwind the AC Power Cord completely.
2. Insert the plug into any convenient AC outlet.
3. As soon as the unit has been connected with the mains voltage, parts of the unit are in operation due to the standby function. Turn off the unit completely before pulling the mains plug out of the AC outlet.

AUX connection

1. Slide Function selector to AUX.
2. Connect a 3.5mm stereo jack lead to the AUX IN socket and the other end to your preferred device.
3. Play your device.

BASIC OPERATION

Adjusting the sound volume

Turn the - volume + control to increase or decrease the sound level.

BASSXPANDER button

ON: Press the **BASSXPANDER** button once to active boost low frequency sound and the **BASSXPANDER** indicator will light up.

OFF: Press once during ON mode and **BASSXPANDER** Indicator goes off.

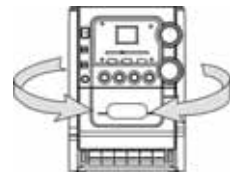
RADIO OPERATION

1. Connect the power cord.
2. Slide the FUNCTION selector to RADIO position.
3. Slide the BAND selector to select the desired band. (AM/ FM/FM ST)
4. Turn the TUNING button to select the desired band.
5. Adjust + VOLUME – control to a comfortable sound level.

ANTENNA reception tips

FM: Extend and move the FM Antenna Wire. If stereo broadcast is received, the FM STEREO indicator will light up. In case of Stereo stations with a bad reception (noise infested reception), we recommend slide BAND selector to MONO position.

AM: This system is equipped with a built-in directional ferrite antenna, move and rotate the system for best reception.



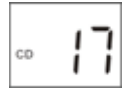
COMPACT DISC OPERATION

Notes when operating the CD disc

- Only press the CD Door Open button to open the CD door.
- To remove the disc, hold it by the edges and remove from the holder.

Loading Compact Disc

1. Slide the FUNCTION selector to CD position.
2. Press the OPEN button to open the CD door.
3. Place the disc into the tray with label side uppermost and push down to close the CD door. The CD player will automatically scan the disc. The total number of tracks will show in the display. For example, if the disc contains 17 tracks. The display will show as the figure on the right.
4. If there is no disc in the unit, the display will show "NO"(refer to the figure on the right).



Normal Playback

After loading a CD, press the ►/|| PLAY/PAUSE button on the main unit or on the remote control to start playback. The track number will indicate in the display.

Pause control

To pause temporarily during CD playback, press the ►/|| PLAY/PAUSE button on the main unit or on the remote control. The disc playback will pause. Press the ►/|| PLAY/PAUSE button again to resume playback.

Skip track

During playback, press the ◀◀/◀◀ or ▶▶/▶▶ buttons on the main unit or press ◀◀ F.F. or ▶▶ F.R Buttons on the remote control to skip to the previous or next tracks.

PLAY MODE CONTROL

There are three play modes. Press the PLAY MODE button once to active RPT mode, press the PLAY MODE button twice to active RPT ALL mode, Press the PLAY MODE button third time to active RDM mode, press the PLAY MODE button the fourth time to resume the normal playback.

Repeat a track

Select the track to be repeated and begin playback. Press the PLAY MODE button once. The RPT indicator will show in the display and the selected track will be repeated continuously.

Repeat ALL

Press the PLAY MODE twice. The RPT ALL indicator will show in the display and all the tracks on the disc will be repeated continuously.

Random playback

The random playback feature allows you play all the tracks on the current disc in a random order. This function can be selected when the disc is playing or when in a stop mode. Press the PLAY MODE button third times to random play mode. The RDM indicator is shown in the display.

If necessary, press the PLAY/PAUSE ►/|| button to begin playback. The player will randomly select a track to play from the disc.

Note: In program mode, Random playback can't be selected.

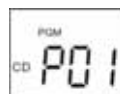
Clear play mode

Press the PLAY MODE button fourth times to cancel the play mode and normal playback will resume.

Programmed Playback

It is possible to program a selection of up to 20 tracks for playback.

1. After loading a disc, Press the PROGRAM button in stop mode. PGM and P01 will show in the display.
2. Press the ◀◀/▶▶ or ▶▶/▶▶ buttons repeatedly to select the desired track number.
3. Press the PROGRAM button to confirm the first programmed track. P02 now shows in the display
4. Repeat steps 2 and 3 to store up to 20 tracks.
5. When programming is complete, press the ►/|| PLAY/PAUSE button to begin playback of the programmed tracks.



Clear Program (Resume Normal Playback)

Press the STOP button twice during playback, or open the CD door, or change to another mode to erase the programmed tracks.

MP3/WMA DISC OPERATION

Normal Playback

After loading a MP3/WMA, press ►/|| PLAY/PAUSE button to start playback. The MP3 or WMA and current track number will indicate in the display.

Pause control

To pause temporarily during MP3 playback, press the ►/|| PLAY/PAUSE button. The disc playback will pause. Press the ►/|| PLAY/PAUSE button again to resume playback.

Skip track

The procedure for skipping tracks is the same as previously described in the CD operation section of this manual.

Skip ALBUM

In stop mode or during playback, press the FOLDER+ button repeatedly on the main unit or FOLDER+ or FOLDER- buttons on the remote control to skip to next or previous folder, playback will begin at the first track in the selected folder.

PLAY MODE CONTROL

There are four play modes. Press the PLAY MODE once to active RPT mode, press the PLAY MODE twice to active RPT ALBUM mode, Press third time to active RPT ALL mode, press the PLAY

MODE button the fourth time to active RPT RDM mode, Press the PLAY MODE button fifth times to resume the normal playback.

Repeat a track

Select the track to be repeated and begin playback. Press the PLAY MODE button once. The RPT indicator will show in the display and the selected track will be repeated continuously.

Repeat ALBUM

Select the album to be repeated and begin playback. Press the PLAY MODE button twice. The RPT and ALBUM will flash in the display and the selected a bum (folder) will be repeated continuously.

Repeat ALL

Press the PLAY MODE third times. The RPT ALL indicator will show in the display and all the tracks on the disc will be repeated continuously.

Random playback

The random playback feature allows you play all the tracks on the current disc in a random order. This function can be selected when the disc is playing or when in a stop mode. Press the PLAY MODE button fourth times to random play mode. The RDM indicator is shown in the display.

If necessary, press the PLAY/PAUSE button to begin playback. The player will randomly select a track to play from the disc.

Note: In program mode, Random playback can't be selected.

Clear Play mode

Press the PLAY MODE button fifth times to cancel the play mode and normal playback will resume.

Programmed Playback

It is possible to program a selection of up to 20 tracks for playback.

1. After loading a disc, Press the PROGRAM button in stop mode. PGM and P01 will show in the display.
2. Press the FOLDER+ on the main unit or FOLDER+ or FOLDER - buttons on the remote control to select desired ALBUM (FOLDER) and then Press the ►►/►► or ◀◀/◀◀ buttons repeatedly to select the desired track number.
3. Press the PROGRAM button to confirm the first programmed track. P02 now shows in the display
4. Repeat steps 2 and 3 to store up to 20 tracks.
5. When programming is complete, press the ►/|| PLAY/PAUSE button to begin playback of the selected tracks.

Clear Program (Resume Normal Playback)

Press the STOP button twice during playback, or open the CD door, or change to another mode to erase the programmed tracks.

IMPORTANT NOTE FOR MP3/CD PLAYBACK CAPABILITY

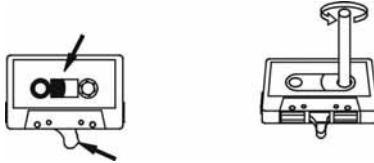
Because of none-standardized format definition / production of MP3 / CD, playback quality & performance are not guaranteed.

SANYO is not responsible for the playability of MP3 in any case due to recording conditions such as PC performance, writing software, media ability and etc.

CASSETTE RECORDER OPERATION

Checking the Cassette

Make sure that the cassette tape has on slack before inserting it to cassette compartment. If the tape slacks, the trouble may result when you play the tape, use a pencil as shown to take up slack on one of the reels.(Refer to figure on the right.)



PLAYBACK

1. Slide FUNCTION selector to TAPE-OFF.
2. Open the CASSETTE BUTTON DOOR
3. Press the **■/▲** button to open the cassette door. Insert a prerecorded cassette into the cassette compartment with the exposed side uppermost and push the door to close the door.
4. Press the **▶** button to start playback.
5. Press the **■/▲** STOP/EJECT button to stop playing.

PAUSE control

To pause temporarily during tape playback, Press the **||** button. The disc playback will pause, press the **||** button again to resume playback

Fast Forward and REWIND

Press the **◀◀** F. FWD or **▶▶**REWIND Buttons on the main unit to wind the tape backward quickly or wind the tape forward quickly.

RECORDING

A) Recording from the radio

1. Slide the FUNCTION button to RADIO position.
2. Turn the TUNING button to select the desired band.
3. Insert a blank tape with exposed side downwards and full spool to the left side into cassette compartment and close cassette door.
4. Press the **●** RECORD button to start recording,
5. Press the **■/▲** button to stop recording

B) Recording from the Compact Disc

1. Slide the FUNCTION button to CD position.
2. Load a CD and select the desired track.

3. Insert a blank tape with exposed side downwards and full spool to the left side into cassette compartment and close cassette door.
4. Press the ● RECORD button to start recording
5. Press the ■/▲STOP/EJECT button to stop recording and the CD will be change to pause mode, press the ● RECORD button to continue recording. Press the ■/▲ STOP/EJECT button again to remove the cassette.

Note:

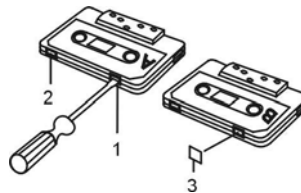
When the end of the tape was reached, the cassette deck will stop automatically even at playback or recording mode.

Preventing accidental erasure

Whenever a recording is made, the sound previously recorded is erased automatically. To protect valuable recordings from accidental erasure, the unit and cassette are equipped with standard safety features. To keep the recorded material permanently, break out the tab on the back of the cassette with a screwdriver

To protect side A, break out tab (1).

To protect side B, break out tab (2)



Note: A cassette with the erase guard tabs removed cannot be erased or used for recording and the RECORD button cannot be pressed. To record on a cassette from which the cab has been removed, simply attach adhesive tape over the tab opening.(3)

MAINTENANCE

Cleaning the unit

- To prevent fire or shock hazard, disconnect your unit from the AC power source when cleaning.
- If the cabinet becomes dusty, wipe it with a soft dry dust cloth. Do not use any wax or polish sprays on the cabinet.
- If the cabinet becomes dirty or smudged with fingerprints it may be cleaned with a soft cloth slightly dampened with a mild soap and water solution. Never use abrasive cloths or polishes, as these will mar the finish of your unit.

Caution: Never allow any water or other liquids to get inside the unit while cleaning.

Compact Discs Maintenance

- Treat the disc carefully. Handle the disc only by its edge. Never allow your fingers to contact with the shiny, unprinted side of the disc.
- Do not attach adhesive tape, stickers etc., to the disc label.
- Clean the disc periodically with a soft, lint-free, dry cloth. Never use detergents or adhesive cleaners to clean the disc. If necessary, use a CD cleaning kit.
- If a disc skips or gets stuck on a section of the disc, it is probably dirty or damaged (scratched).
- When cleaning the disc, wipe in straight lines from the center of the disc to the edge of the disc. Never wipe in circular motions.
- To remove a disc from its storage case, press down on the center of the case and lift the disc out, holding it carefully by the edges.
- Fingerprints and dust should be carefully wiped off the disc's recorded surface with a soft cloth. Unlike conventional records, compact discs have no groove to collect dust and microscopic debris, so gently wiping with a piece of soft cloth should remove most particle.

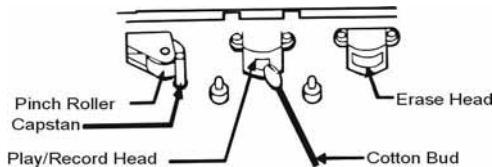


Cleaning the tape heads

When dust or reddish-brown oxide has accumulated on the tape deck heads, pinch roller and capstan. Failure to clean these parts can result in inferior quality of sound, distortion of recorded sound, deterioration of high frequency sound reproduction and inconsistent tape speed.

To ensure playback and recording with good quality sound, use a cleaning tape (available from your local audio dealer) to clean the head block of the deck after about every 10 hours of use.

1. Open the cassette compartment lid by pressing **■/▲** STOP/EJECT button.
2. Moisten a cotton bud with isopropyl alcohol or special head cleaning fluid. Gently rub the face of PLAY and RECORD head and erase head. Also clean the capstan and pinch roller.



TROUBLESHOOTING GUIDE

If you experience any difficulties in operating this unit, please take the time to read the hints and tips shown in the troubleshooting guide below.

Symptom	Possible cause	Solution
Radio		
No signal from the Radio	Unit is not in Radio mode	Slide the FUNCTION selector to Radio mode
Noise or sound distorted on AM or FM broadcasting	Station is not tuned properly for AM or FM	Retune the AM or FM broadcast station
	FM: Wire antenna is not extended enough	Extend FM wire antenna
	AM: Unit is not positioned correctly	Reposition the unit until the best reception is obtained
FM STEREO indicator does not light	FM signal not enough strong or the station is not in stereo broadcasting	Extend antenna or find another FM stereo station
AM or FM no sound	Unit not at TUNER function AM or FM band	Slide the BAND selector to select AM or FM band
	Volume at minimum	Increase the volume level
CD/MP3 Player		
CD Player doesn't play	Unit not in CD mode	Slide the FUNCTION selector to CD mode
	CD is not installed or installed incorrectly	Load a CD; check that the CD is placed in the tray with the label side uppermost
	Disc is non-standard	Use correct disc
	Disc is not compatible with format	Change compatible CD format
CD skips while playing	Disc is dirty or scratched	Wipe disc with soft dry cloth or use another disc
Cassette Recorder		
No sound	Function selector is not at RADIO mode.	Slide the Function selector to Radio
	Volume at minimum	Increase Volume
Sound distorted	Head is dirty	Clean the head
Speed varies	Tape old or worn	Replace the tape
	Dirty roller and capstan	Clean roller and capstan
Can't be recorded	Record protection tab removed	Attach adhesive tape over the tab opening
Distorted sound on playback	Defective tape or dirty tape head	Replace tape or clean tape head

SPECIFICATIONS

Radio Section

Frequency Range ----- AM (Built-in ferrite bar): 530 – 1600 KHz
FM (wire antenna): 88 – 108 MHz

CD / MP3 Player

Playback System ----- Top load CD mechanism
Memory Program ----- 20 Tracks
Laser Output (Maximum) ----- 5 mW
Wavelength----- 790 ± 30 nM

Cassette Recorder

Recording System ----- DC Bias
Erase System ----- Magnet Erase

Audio Section

Power Output ----- 2 Watts RMS X 2
Headphone Impedance ----- 8 – 32 ohm

Speaker System

Impedance----- 4 ohm
Driver ----- 3 inch full range

General

Power Source ----- AC 230 - 240V 50Hz
DC 3V - 1 pc of "CR2025" lithium battery (included)
or equivalent for remote handset
Power Consumption ----- 23 Watts
Dimension (mm)----- Main Unit : 155(W) x 224(H) x 211.5(D)
Speaker Box : 119(W) x 224(H) x 153(D) (approx)
Net Weight----- 4 kg

ACCESSORIES:

Instruction Manual ----- 1 pc
Remote Control Handset ----- 1 pc



CODE NO: 172-G401043010-OSY

SANYO Electric Co., Ltd.
Made in China